

MOSA VALVE PLUG 8MM FIELD-WIREABLE (IDC)

Form C (8 mm)

0...250 V AC/300 V DC

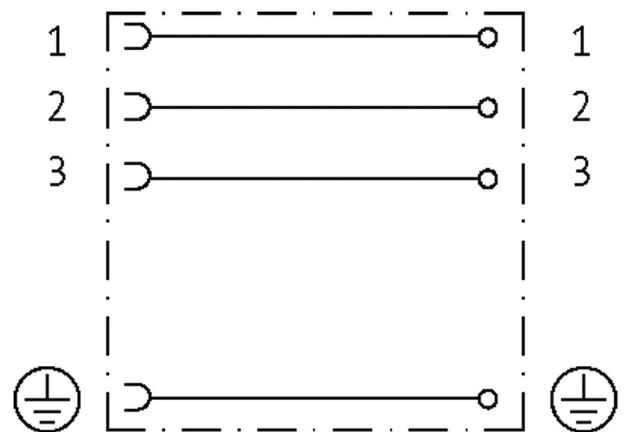
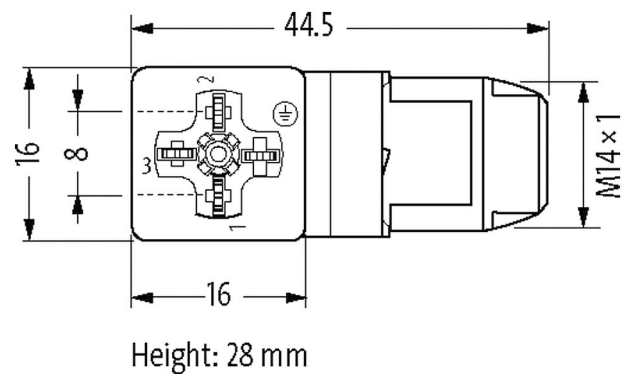
without components

Cable outlet can be turned in 90° steps

Insulation displacement technology IDC

Plastic housings with good resistance against chemicals and oils.

The resistance to aggressive media should be individually tested for your application. Further details on request.

Illustration

Product may differ from Image

Form

The information in this brochure has been compiled with the utmost care.

Liability for the correctness completeness and topicality of the information is restricted to gross negligence. Version: 10/20

Form	80101
------	-------

Technical Data

Operating voltage	0...250 V AC/300 V DC
Operating current per contact	max. 3 A
Connection cross section	0.25...0.5 mm ² (conductor diameter min. 0.1 mm)
Outer wire Ø	1.2...1.6 mm
Sealing range (cable Ø)	4...6 mm
Protection	IP67 inserted and tightened (EN 60529)

General data

Dimensions H×W×D	28×16×44.5 mm
Mounting set	M14×1 mm
Temperature range	-25...+85 °C

Commercial data

country of origin	CZ
customs tariff number	85366990
EAN	4048879132329
eClass	27279218
Packaging unit	1